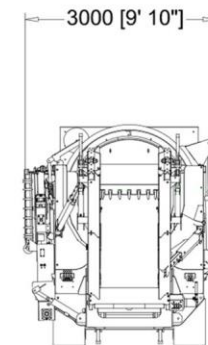
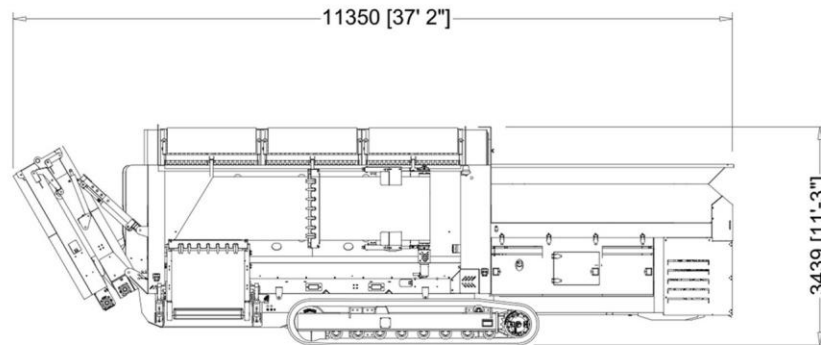


WORKING



TRANSPORT

**DIMENSIONS AND WEIGHT ARE SUBJECT TO CHANGE AT MANUFACTURERS DISCRETION**

Screenpod Design & Manufacturing reserves the right to make changes to the information and design of the machines on this document without reservation and notification to the users. Information at time of print considered accurate. Screenpod Design & Manufacturing assumes no liability resulting from errors or omissions in this document.

**GENERAL ASSEMBLY TS620 - 20,000KG**

[www.screenpod.co.uk](http://www.screenpod.co.uk)

## HOPPER

Width	2.0m (6'6")
Length	3.7m (12'2")
Max Volume <i>with extensions</i>	9.6m <sup>3</sup> (12.6yd <sup>3</sup> )

## FEEDER BELT

Width	1m (40")
Feed Height	2.85m (9'4")
Control	Yes

## DRUM

Length	5.50m (18")
Diameter	2.0m (6'6")
Angle	0-6°

## COLLECTION BELT

Width	1050mm (42")
Control	Variable Speed

## TRANSFER BELT

Width	800mm (32")
Control	Variable Speed

## FINES BELT

Width	1m (40")
Discharge Height	3.10m @ 30 degrees
Control	Variable Speed

## OVERSIZE (TAIL) BELT

Width	1m (40")
Discharge Height	3.30m @ 30 degrees
Control	Variable Speed

## POWER PACK

Type 3a	JCB Dieselmax 444 85kW (115HP)
Type 3b	JCB Ecomax 93kW (125HP)
Diesel Tank	265L (58 gallon / 70 US gallon)
Hydraulic Tank	370L (81 gallon / 97 US gallon)
<i>CAT 4.4 Available on Request</i>	

## OPTIONS

1. Tipping Grid
2. Hopper Extensions
3. Punch Plate Solid Drum

## TRACKS

Width	500mm (20")
Speed	1km/h

## PERFORMANCE

Max Feed Size	300mm (12")
Max Screen Size	75mm (3")
Capacity	Up to 200tph

## WORKING DIMENSIONS

Length	13.85m (45'4")
Width	6.90m (22'6")
Height	3.74m (12'3")

## TRANSPORT DIMENSIONS

Length	11.35 (37'2")
Width	3.0m (9'10")
Height	3.45m (11'3")

## GENERAL

Weight	20,000kgs / 22 US TON (44000lbs)
--------	----------------------------------

Authorised Dealer: