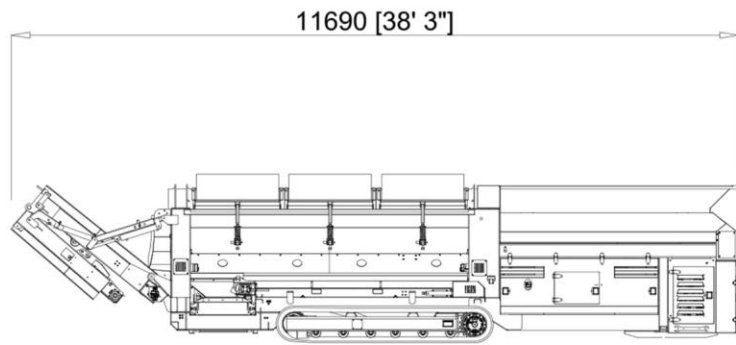
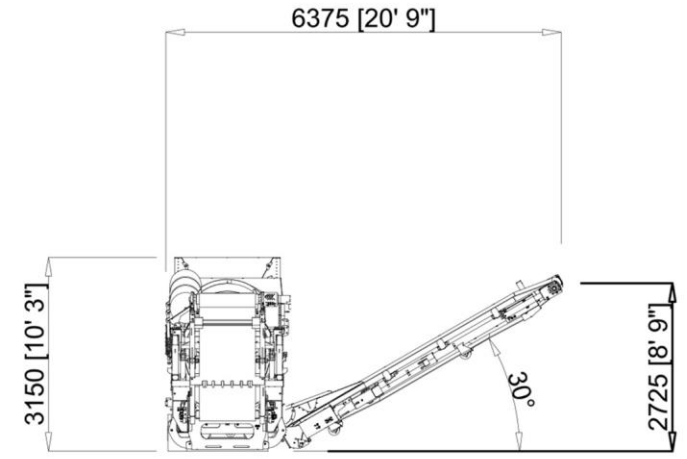
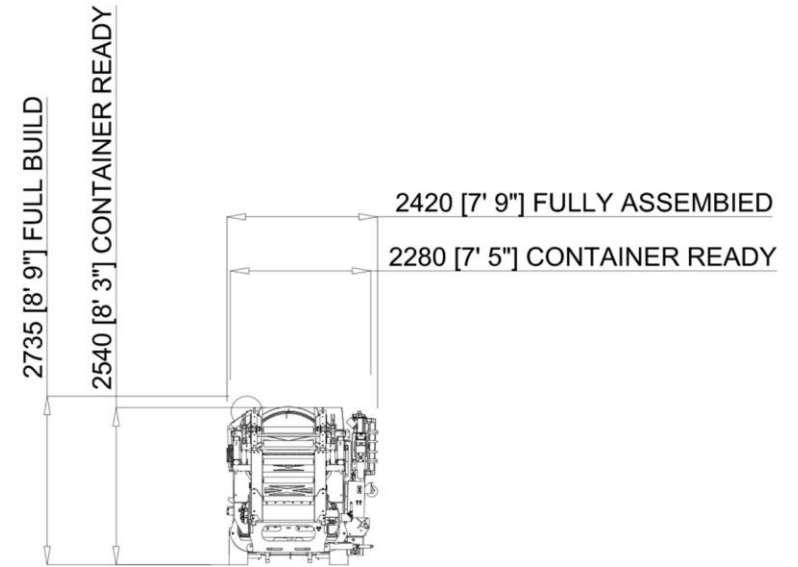


WORKING



TRANSPORT



DIMENSIONS AND WEIGHT ARE SUBJECT TO CHANGE AT MANUFACTURERS DISCRETION

Screenpod Design & Manufacturing reserves the right to make changes to the information and design of the machines on this document without reservation and notification to the users. Information at time of print considered accurate - Screenpod Design & Manufacturing assumes no liability resulting from errors or omissions in this document.

GENERAL ASSEMBLY T5516 - 14,500KG

www.screenpod.co.uk

HOPPER

Width	1.47m (4'8")
Length	3.72m (12'2")
Max Volume <i>without extensions</i>	4m ³ (5.2yd ³)

FEEDER BELT

Width	900mm (35")
Type	Plain Belt
Control	Variable Speed

DRUM

Length	5.15m (16'9")
Diameter	1.37m (4'5")
Angle	0-5°

COLLECTION BELT

Width	900mm (35")
Control	Variable Speed

TRANSFER BELT

Width	650mm (25")
Control	Variable Speed

FINES BELT

Width	800mm (31")
Discharge Height	2.72m (8'9")
Control	Variable Speed

OVERSIZE (TAIL) BELT

Width	900mm (35")
Discharge Height	2.47m (8'1")
Control	Variable Speed

POWER PACK

Type 3a	JCB 444 Dieselmax 63kW (84HP)
Type 3b	JCB 444 Ecomax 68kW (91HP)
Diesel Tank	260L (57 gallon / 68 US gallon)
Hydraulic Tank	345L (75 gallon / 91 US gallon)

OPTIONS

1. Radio remote tipping grid
2. Punch plate screens
3. Radio remote control

TRACKS

Width	300mm (12")
Speed	1km/h

PERFORMANCE

Max Feed Size	300mm (12")
Max Screen Size	60mm (3")
Capacity	Up to 150tph

WORKING DIMENSIONS

	<i>Without Grid</i>
Length	13.37m (43'8")
Width	6.37m (20'9")
Height	3.15m (10'3")

TRANSPORT DIMENSIONS

	<i>Without Grid</i>
Length	11.69m (38'3")
Width Max	2.42m (7'9")
Width Min	2.28m (7'5")
Height Max	2.73m (8'9")
Height Min	2.54m (8'3")

GENERAL

Weight	14,500kgs / 16 US TON (32000lbs)
--------	----------------------------------

Authorised Dealer:

