



# J4 JAW CRUSHER

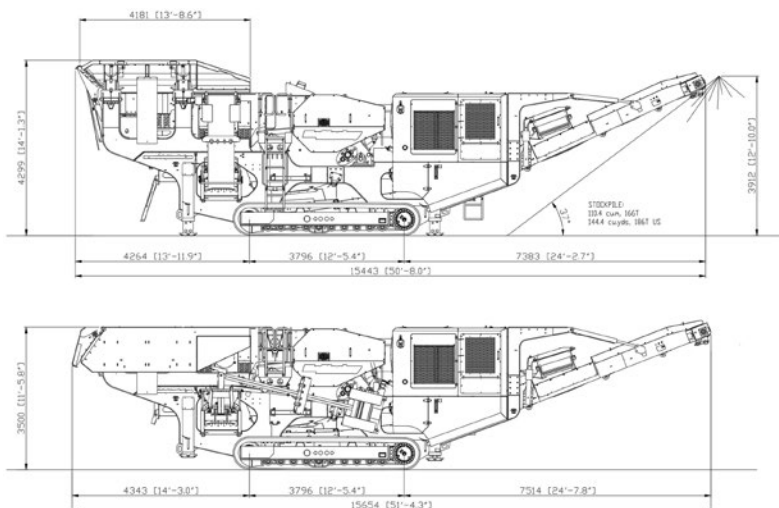
The new McCloskey® J4 builds on the robust design of the proven performance McCloskey jaw crushers, and adds new productivity with an exciting line-up of features aimed at boosting productivity and offering enhanced durability across applications.

## FEATURES

- ✓ Large 42"x 28" Jaw opening to accommodate large feed sizes.
- ✓ 1200mm wide main conveyor belt with Toughflex® belt
- ✓ High TPH due to jaw chamber design and enhanced material flow
- ✓ Deeper jaw chamber with proven performance in hard rock applications
- ✓ Wide main and side conveyor for enhanced material flow and handling.
- ✓ Electric option
- ✓ Fast setup time



The large 1060mm (42") x 700mm (28") jaw chamber accommodates large feed sizes, contributing to higher production in material processing. The material path is enhanced with the adjustable speed 47.4" x 7'-8.8" (1204mm x 2360mm) double deck grizzly prescreen under the hopper that, along with the variable speed pan feeder, allows for better sizing of material with a variety of mesh options. McCloskey engineers have designed the J4 to meet the evolving requirements of today's projects and operations. The J4 also features a 12" DSE Control Panel for high operational performance and reliability and 365 Site Connex telematics, where available.



## J4 TECH SPECS

Engine	416Hp (310kW) 360Hp (270kW)
Crushing Chamber (diameter)	42" (wide) x 28"
Stockpile Height Main Conveyor	12' 10" (3.91m)
Stockpile Height Side Conveyor	11' 3.6" (3.44m)

## TRANSPORT

Transport Height	11' 5.8" (3.50m)
Transport Length	53' 2" (16.20m)
Transport Width	11' 5.8" (3.50m)
Weight inc. magnet conveyor	106,900 lb & dirt (48,500kg)

## OPTIONS

Main conveyor variable speed control | Overband magnet | Water Pump and dust suppression system | Various jaw die pattern options | Work lights | Refueling pump | Jaw deflector plate | Grizzly blanking plate | Feeder punch